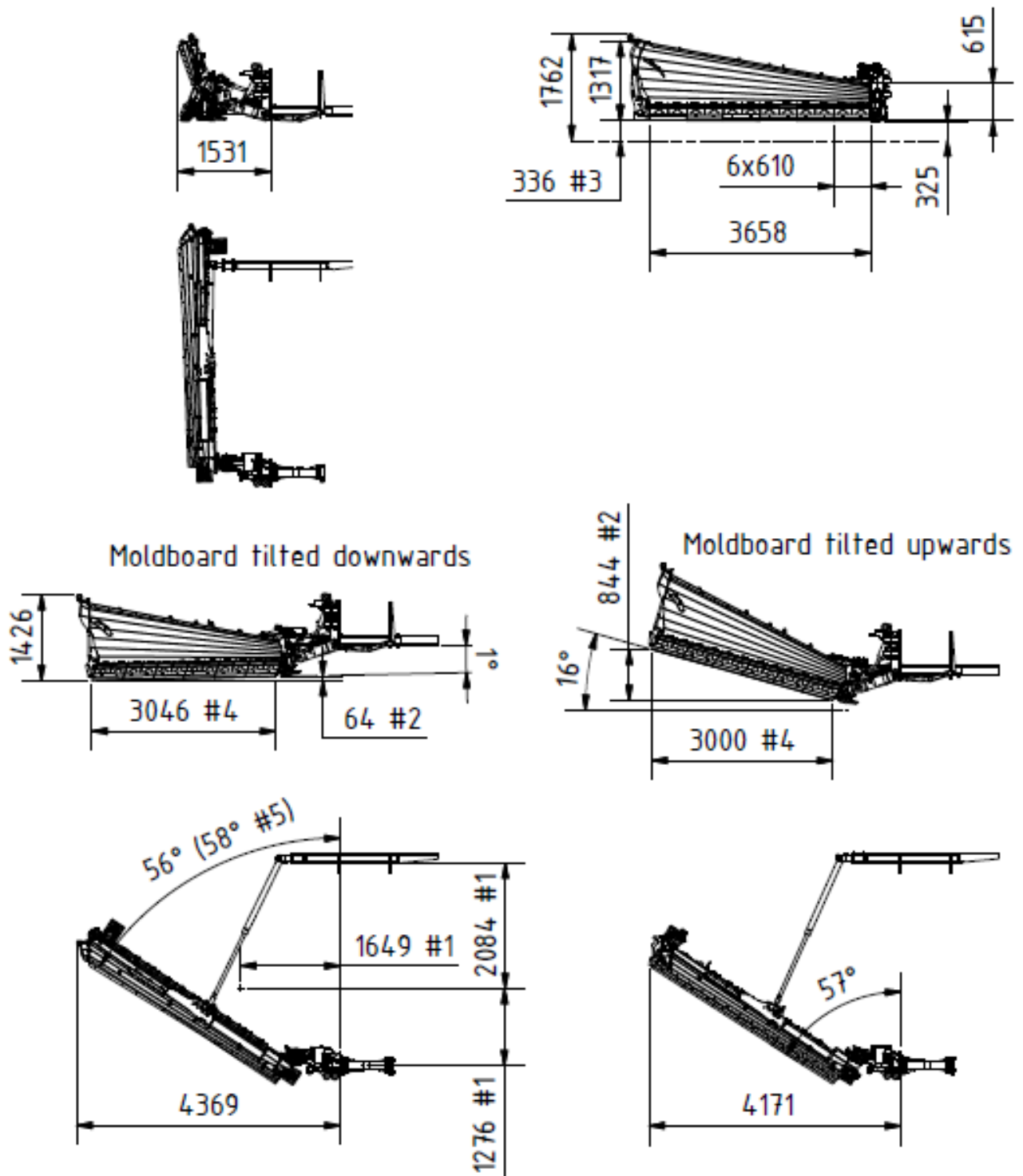


KSM3704 dimension drawings:



#1 Center of gravity #2 Maximum moldboard offset height #3 Height from road in transportation position #4 Blade width at maximum turning angle #5 For 4-axle truck